



Flight Light Inc.
 2708 47th Ave.
 Sacramento, California, U.S.A.
 95822-3806



PH (916) 394-2800 **FX (916) 394-2809**
TF (800) 806-3548 **EM info@flightlight.com**

Heliport Perimeter Light with Flood (HPLF) LED Perimeter/Halogen Flood

Heliport Perimeter Light with Flood (HPLF)

The HPLF is a combination of our LED heliport perimeter light and a halogen floodlight intended to “wash” the pad with light.

The perimeter light is mounted on a powder coat painted cast aluminum housing secured by a stainless steel clamp band. The fixture body finish is aviation yellow and the floodlight housing is dark bronze anodized. The HPLF mounts to a standard breakable coupling. The overall height is 16.25”.

Our heliport perimeter lights provide an LED based solution to the ICAO touchdown and lift-off area perimeter style of steady-burning lights. The lights are currently available in blue, green, yellow, red or clear LEDs operating at 120, 240 VAC.

LED Perimeter Light Features:

- LED life rated up to 70,000 hours.
- 95% less power than an equivalent incandescent light.
- 5-watts power consumption.
- Available in blue, green, yellow, red or clear LEDs.
- Weather/corrosion resistant.
- Self contained wiring compartment eliminates additional boxes.
- Resistant to shock and vibration.
- Direct replacement for existing incandescent lighting.
- Compliant to: ICAO Annex 14, Vol II, 1999.
- 5 year warranty.

Visible/Infrared LED Option:

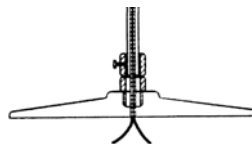
Common LED lights can pose a hazard to pilots using Night Vision Goggles (NVGs). This is due to the fact that NVGs typically use filters to block cockpit lighting from saturating the imaging system. This has the unintended effect of making LED lights invisible to

pilots. In response, we have incorporated NVG friendly technology into our perimeter light, giving pilots using night vision goggles unmatched visibility of the helipad touchdown and lift-off area (TLOF).

Halogen Floodlight

Features:

- Two intensities available:
300W or 500W.
- Metal guard to protect the lens.



Base Mounted
8.5" or 12" Base Plate
(sold separately)



Stake Mounted
30" Angle-Iron Mounting Stake
(sold separately)



J-Box Mounted
30-7609 J-Box
(sold separately)

Heliport Perimeter Light with Flood (HPLF)

Ordering Code

Fixture Type	Halogen Floodlight	Perimeter Output*	Power	Fixture Options
HL-860F	3: 300W 5: 500W	BL: Blue LED GL: Green LED YL: Yellow LED RL: Red LED CL: Clear LED IR: Infrared LED	240: 240VAC 120: 120VAC	1: 1.5" Frangible Coupling (13-FC1.5) 2: 2" Frangible Coupling (13-FC2.0)
HL-860F				

* Green is currently the recommended color for heliport perimeter lights. Infrared can be used in conjunction with color LEDs.

Visit our web site: www.flightlight.com



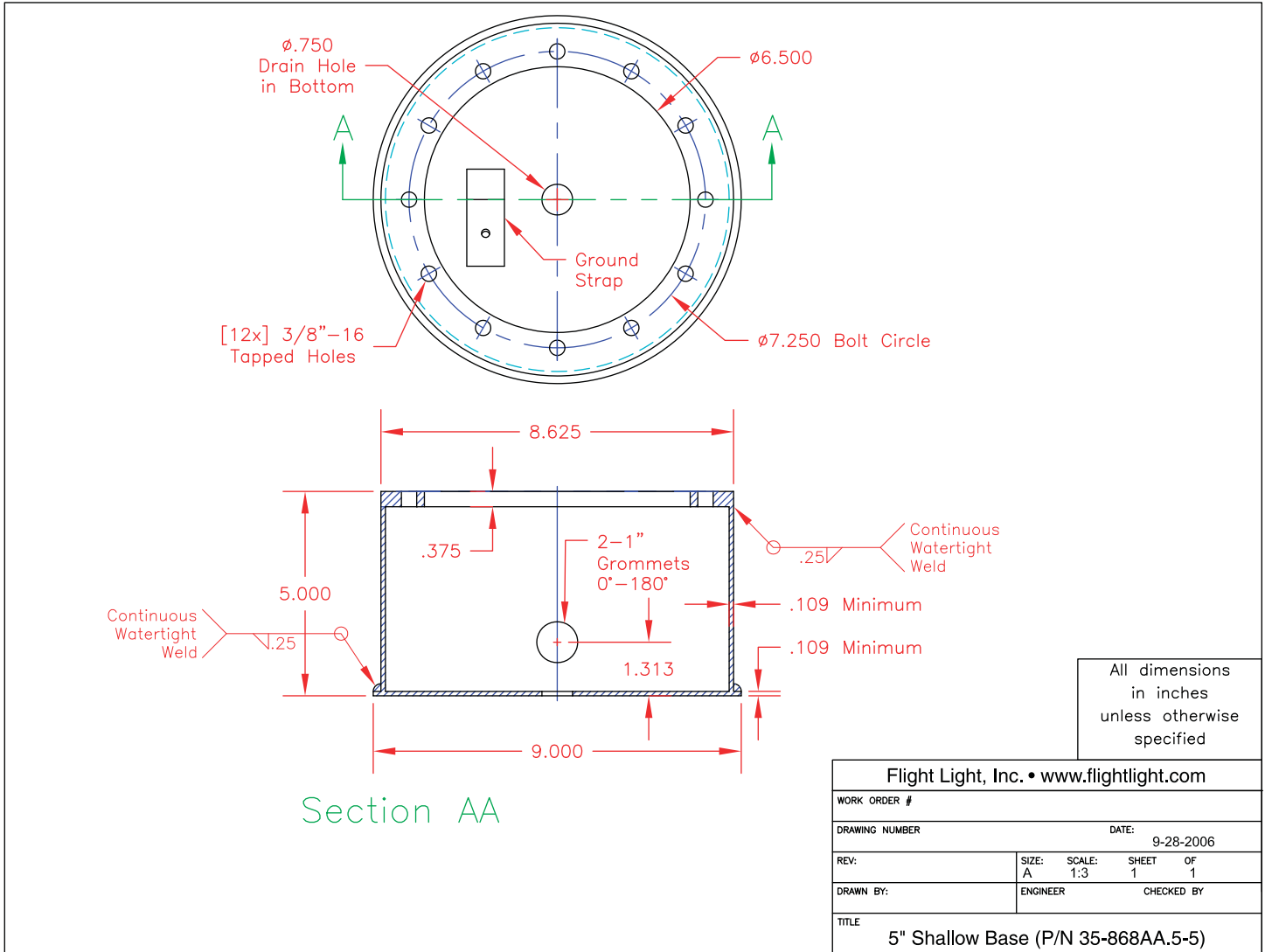
Flight Light Inc.
 2708 47th Ave.
 Sacramento, California, U.S.A.
 95822-3806



Heliport Perimeter Light with Flood
 (HPLF)
 LED Perimeter/Halogen Flood

PH (916) 394-2800
 TF (800) 806-3548

FX (916) 394-2809
 EM info@flightlight.com



Visit our web site: www.flightlight.com



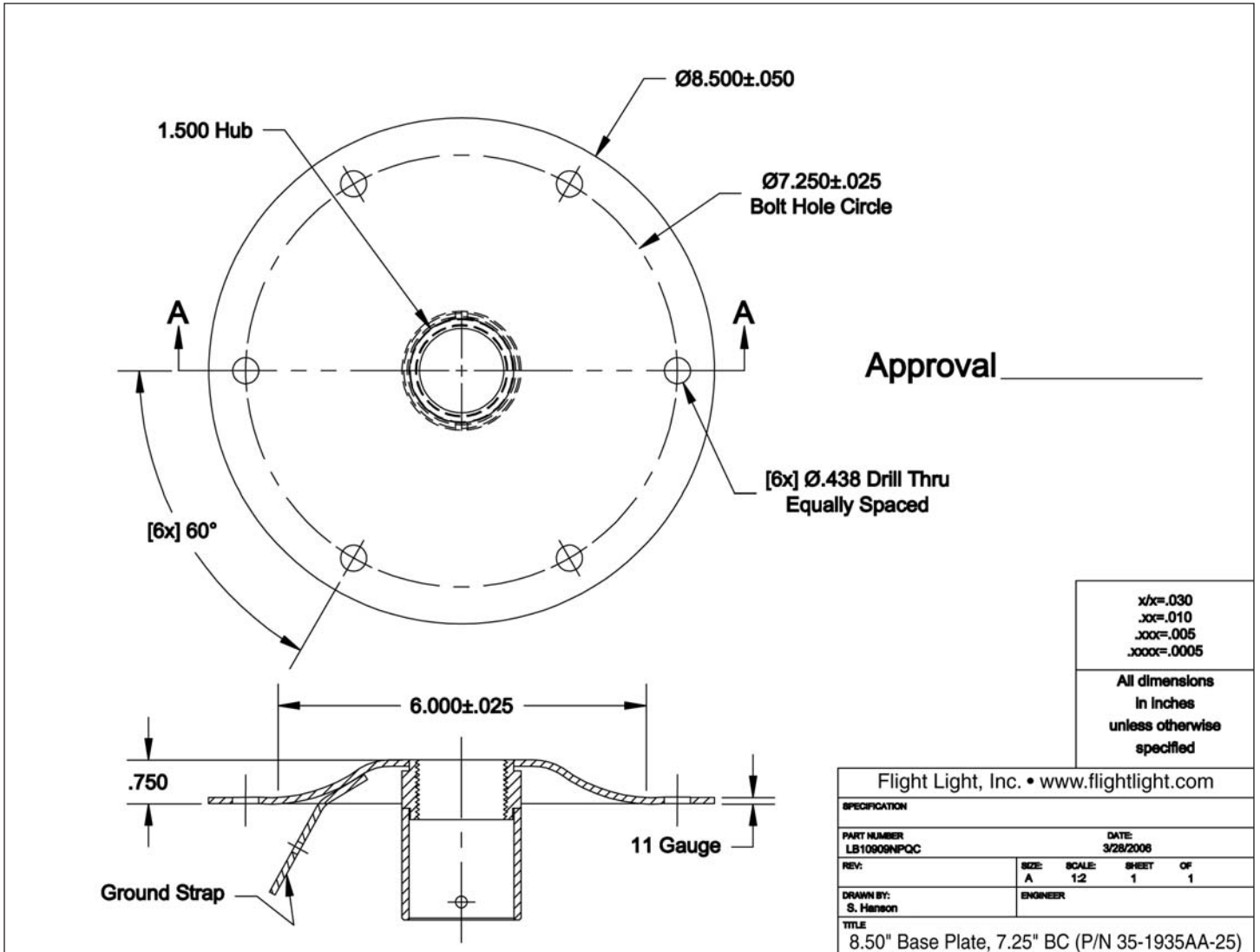
Flight Light Inc.
 2708 47th Ave.
 Sacramento, California, U.S.A.
 95822-3806



PH (916) 394-2800
 TF (800) 806-3548

FX (916) 394-2809
 EM info@flightlight.com

Heliport Perimeter Light with Flood
 (HPLF)
 LED Perimeter/Halogen Flood



Visit our web site: www.flightlight.com

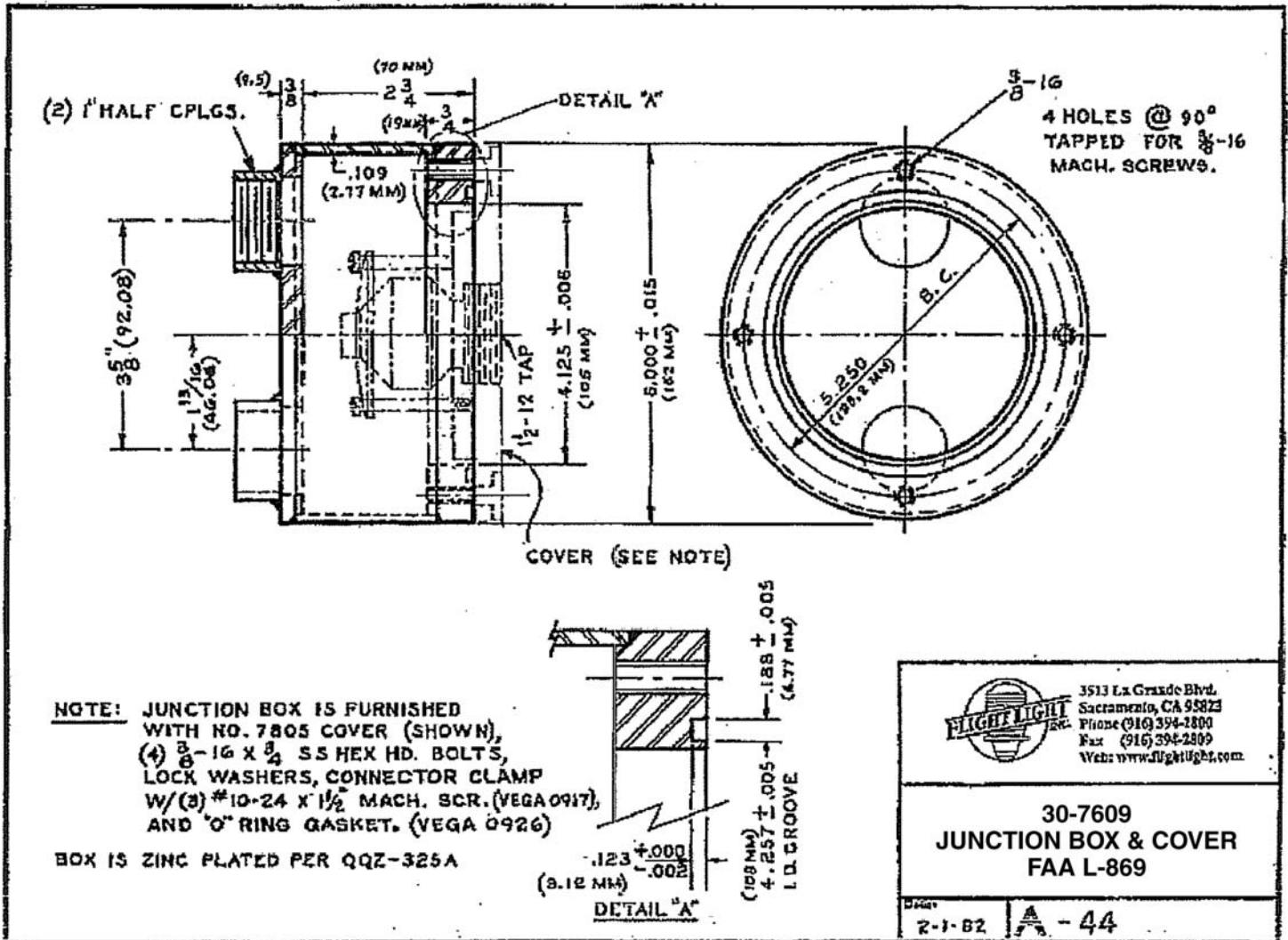


Flight Light Inc.
2708 47th Ave.
Sacramento, California, U.S.A.
95822-3806



Heliport Perimeter Light with Flood
(HPLF)
LED Perimeter/Halogen Flood

PH (916) 394-2800 FX (916) 394-2809
TF (800) 806-3548 EM info@flightlight.com



Visit our web site: www.flightlight.com