



Flight Light Inc.  
2708 47th Ave.  
Sacramento, California, U.S.A.  
95822-3806



PH (916) 394-2800    FX (916) 394-2809  
TF (800) 806-3548    EM info@flightlight.com

## Heliport Perimeter Light with Flood (HPLF) Incandescent

### Heliport Perimeter Light with Flood (HPLF)

The HPLF is a medium intensity 120 volt elevated helipad perimeter light and a floodlight intended to “wash” the pad with light. The HPLF is a combination of our LIEL elevated edge light and a halogen floodlight. The perimeter light consists of a Fresnel lens mounted on a powdercoat painted cast aluminum housing secured by a stainless steel clamp band. The fixture body finish is aviation yellow and the floodlight housing is dark bronze anodized. The HPLF mounts to the standard breakable coupling. The floodlight includes a metal guard to protect the lens. The overall height is 17.25".

#### Perimeter Light Features:

- Weather/corrosion resistant.
- All of the hardware is stainless steel.
- Up to 8,000 hours rated lamp life (69W).

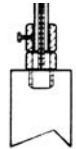
#### Halogen Floodlight Features:

- Two intensities available:  
300W or 500W.
- Metal guard to protect the lens.



*Heliport Perimeter Light with Flood (HPLF)*

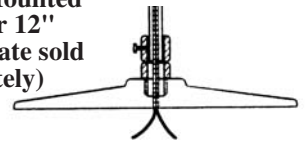
30" Angle-Iron  
Mounting Stake  
(sold separately)



Mounted on  
30-7609 J Box  
(sold separately)



Base Mounted  
(8.5" or 12"  
base plate sold  
separately)



### Ordering Code

Fixture Type	Floodlight	Perimeter Color*	Perimeter Lamp	Fixture Options
<b>HL-860F</b>	<b>3:</b> 300W <b>5:</b> 500W	<b>B:</b> Blue <b>C:</b> Clear <b>G:</b> Green <b>R:</b> Red <b>X:</b> Blank <b>Y:</b> Yellow <b>GR:</b> Green/Red <b>CY:</b> Clear/Yellow	<b>40A:</b> 40W, A19, 120V <b>60A2:</b> 60W, A21, 230V <b>69A:</b> 69W, A21, 120V	<b>1:</b> 1.5" Frangible Coupling (13-FC1.5) <b>2:</b> 2" Frangible Coupling (13-FC2.0)
<b>HL-860F</b>				

**Shipping Weight:** 13 lb./5.9 kilo., **Volume:** 1.5 cu. feet/0.042 cu. meters

\* Green is currently the recommended color for heliport perimeter lights.

Visit our web site: [www.flightlight.com](http://www.flightlight.com)



**Flight Light Inc.**  
 2708 47th Ave.  
 Sacramento, California, U.S.A.  
 95822-3806

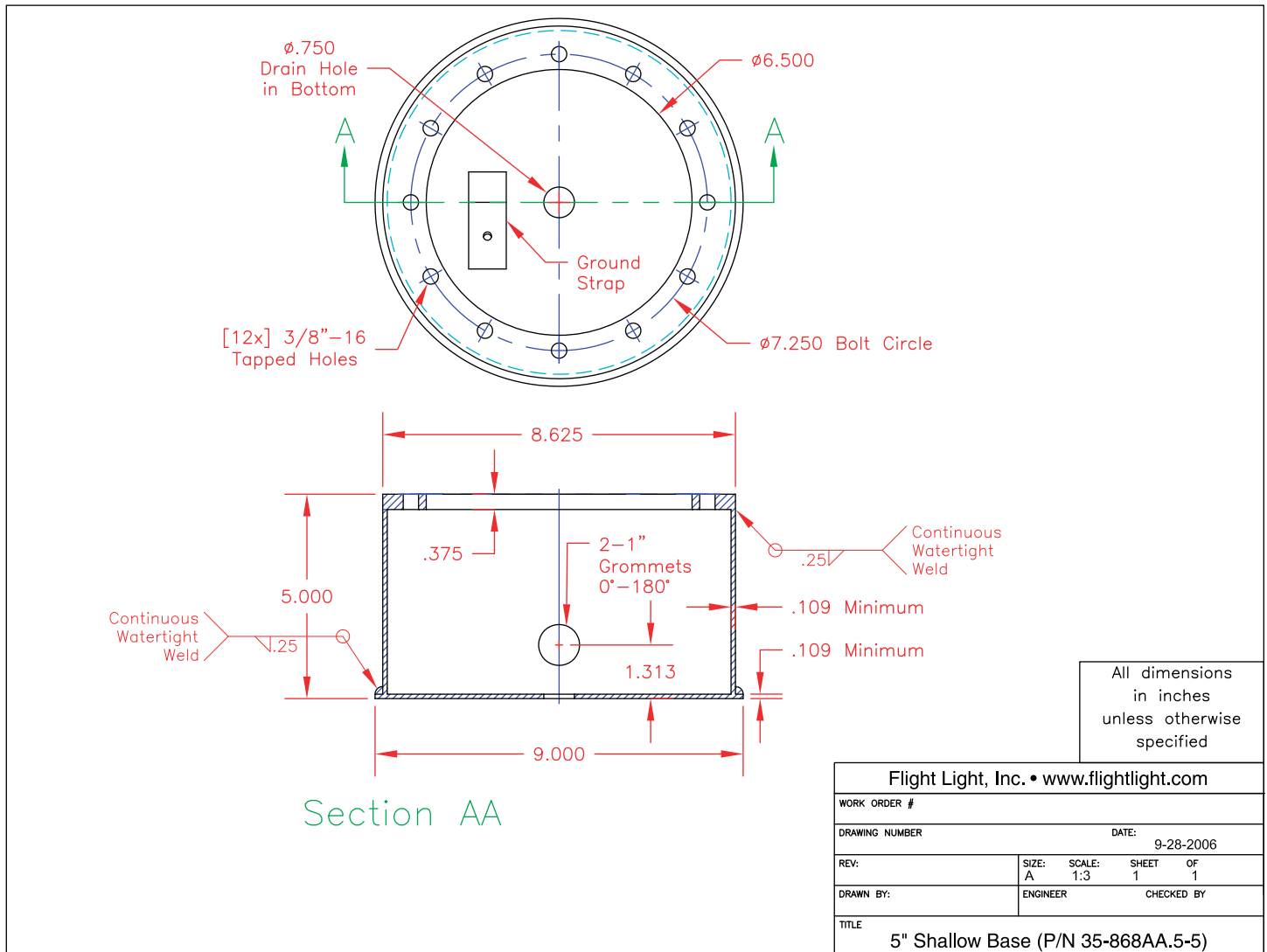


**Heliport Perimeter Light with Flood  
 (HPLF)  
 Incandescent**

**PH (916) 394-2800    FX (916) 394-2809**  
**TF (800) 806-3548    EM info@flightlight.com**

**Common Replacement Parts**  
 (most interchangeable with other manufacturers)

<b>61-861B</b>	L861-Glass Blue	<b>13-FC1.5</b>	L861-1.5" Frangible Coupling (metal)
<b>61-861C</b>	L861-Glass Clear	<b>13-FC2.0</b>	L861-2" Frangible Coupling (metal)
<b>61-861G</b>	L861-Glass Green	<b>61-80004</b>	Socket for A21 Lamp
<b>61-861Y</b>	L861-Glass Yellow	<b>LA-97470</b>	Lamp: 40 Watt, A19, 120V (1,500 rated life)
<b>61-80001</b>	L861-Clamp Band (stainless steel)	<b>LA-17122</b>	Lamp: 60 Watt, A21, 230V (1,000 rated life)
<b>61-80002</b>	L861-O-Ring Gasket	<b>LA-12496-1</b>	Lamp: 69 Watt, A21, 120V (8,000 rated life)



<b>Flight Light, Inc. • www.flightlight.com</b>			
WORK ORDER #			
DRAWING NUMBER		DATE: 9-28-2006	
REV:	SIZE: A	SCALE: 1:3	SHEET OF 1 1
DRAWN BY:		ENGINEER	CHECKED BY
TITLE: 5" Shallow Base (P/N 35-868AA.5-5)			

**Visit our web site: [www.flightlight.com](http://www.flightlight.com)**

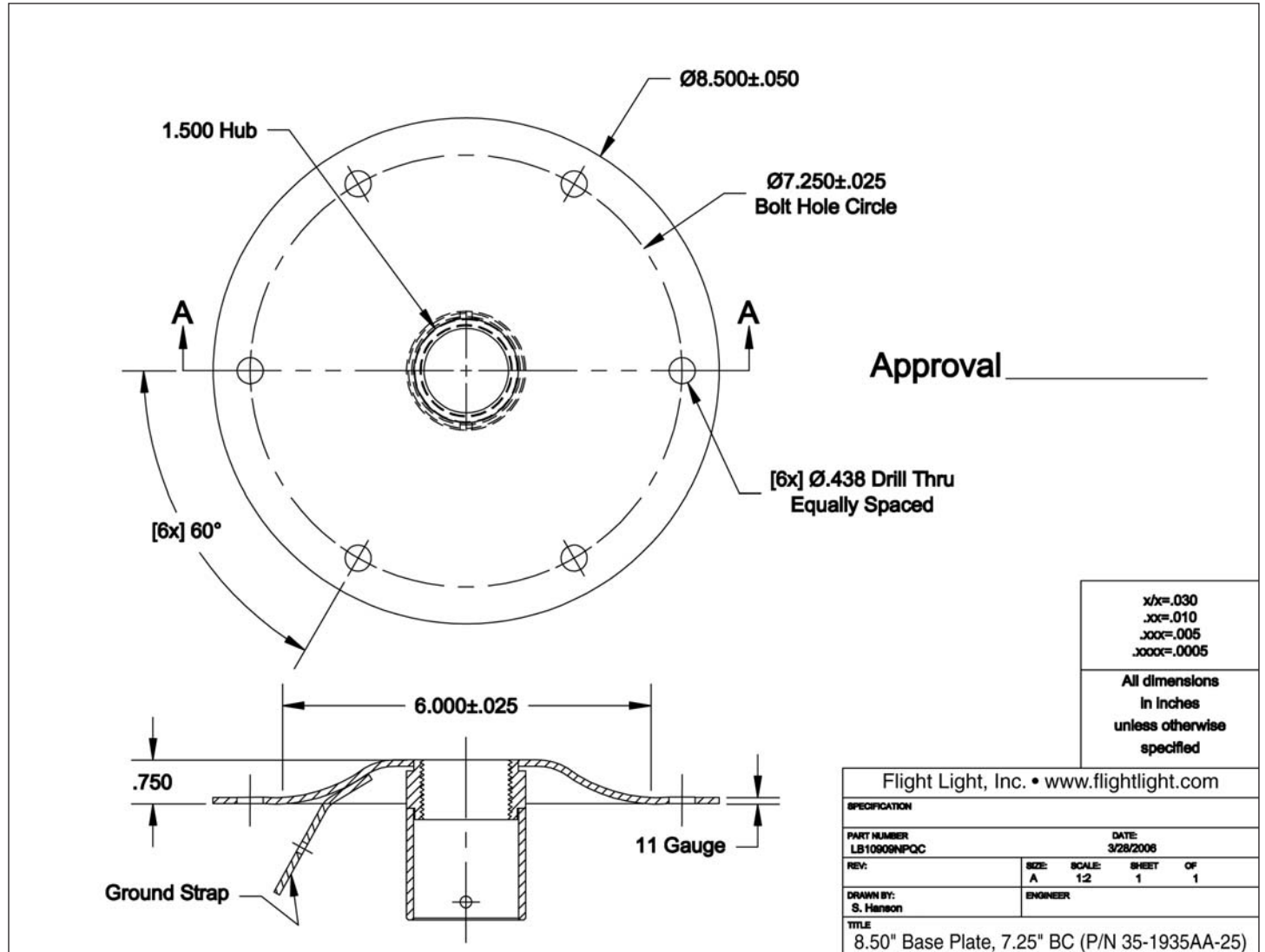


Flight Light Inc.  
 2708 47th Ave.  
 Sacramento, California, U.S.A.  
 95822-3806



Heliport Perimeter Light with Flood  
 (HPLF)  
 Incandescent

PH (916) 394-2800 FX (916) 394-2809  
 TF (800) 806-3548 EM info@flightlight.com



Visit our web site: [www.flightlight.com](http://www.flightlight.com)