



Flight Light Inc.
2708 47th Ave.
Sacramento, California, U.S.A.
95822-3806

PH (916) 394-2800 FX (916) 394-2809
TF (800) 806-3548 EM info@flightlight.com

HBM 150/3
L-801H and L-802H
Heliport Rotating Beacon

Heliport Rotating Beacon Model: 150/3

Compliance

FAA: L-801H A/C150/5345-12
(Current Edition)
L-802H A/C150/5345-12
(Current Edition)
ICAO: Annex 14, para 5.3.3

Applications

L-801H and L-802H Rotating Beacons are designed primarily for night operation as identification and location markers for heliports.

Key Specifications

- Patented belt-drive system eliminates the lubrication maintenance required by conventional gear-drive beacons (U.S. Pat. 5,339,224).
- Patented liquid-filled lamp connector, eliminating the slip rings and brushes found on conventional beacons (U.S. Pat. 5,816,678).
- Three 13,000 lumen, 150 watt metal-halide lamps.
- 12,000 hour typical lamp life (3 yrs.)
- One clear, one aviation green, and one yellow lens.
- Available in Hospital Heliport version (not FAA certifiable).
- NO maintenance except lamp replacement.
- All moving parts are permanently lubricated.
- Impedance-protected motor eliminates burnouts.
- Lamps preset 5° above horizontal, adjustable.
- 12 RPM rotation, 36 flashes/minute.
- Weatherproof steel cabinet, powder coated international orange.
- Class I temperature range: -30 to +55 °C (-22 to +131 °F).
- Class II temperature range: -55 to +55 °C (-67 to +131 °F).
- Tested to wind velocities of 100 mph.
- Optional photocell and/or tell-tale relay.
- Mountable on a tipdown pole.
- Military version available: one aviation green, one yellow, and one clear split lens.
- Power Consumption: 595W Class I, 995W Class II.
- Manufactured in the USA.



Beacon Tipdown Pole

Visit our web site: www.flightlight.com



Flight Light Inc.
 2708 47th Ave.
 Sacramento, California, U.S.A.
 95822-3806

PH (916) 394-2800 FX (916) 394-2809
 TF (800) 806-3548 EM info@flightlight.com

**HBM 150/3
 L-801H and L-802H
 Heliport Rotating Beacon**

Ordering Information

Part Number	Description
L801H7116	120 VAC, 60 Hz, Class I
L801H7116H	120 VAC, 60 Hz, Class I, Hospital Heliport
L801H7125	220-240 VAC, 50 Hz, Class I
L801H7125H	220-240 VAC, 50 Hz, Class I, Hospital Heliport
L801H7126	220-240 VAC, 60 Hz, Class I
L801H7126H	220-240 VAC, 60 Hz, Class I, Hospital Heliport
L801H7216	120 VAC, 60 Hz, Class II
L801H7216H	120 VAC, 60 Hz, Class II, Hospital Heliport
L801H7225	220-240 VAC, 50 Hz, Class II
L801H7225H	220-240 VAC, 50 Hz, Class II, Hospital Heliport
L801H7226	220-240 VAC, 60 Hz, Class II
L801H7226H	220-240 VAC, 60 Hz, Class II, Hospital Heliport

NOTE: 220-240 VAC products are single phase only.

Options

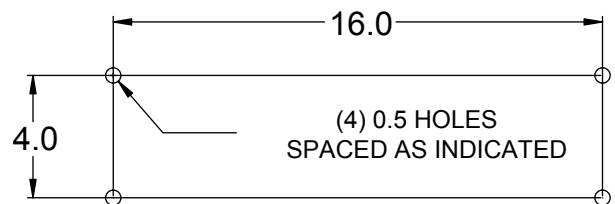
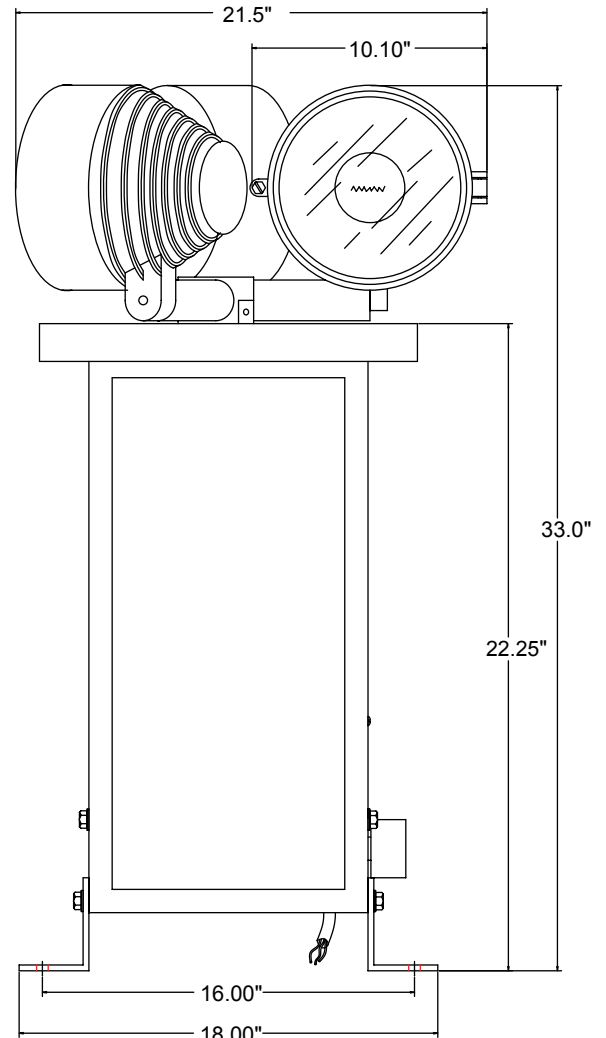
Part Number	Description
L801/802 T/T HBM 120	Tell-tale Relay, 120 VAC
L801/802 T/T HBM 240	Tell-tale Relay, 220-240 VAC
4200-0000	Tower Mounting Kit
4200-0002	REA Pole Mounting Kit

Replacement Parts

Part Number	Description
0200-0007	Ballast, 120/240 VAC, 60 Hz
0600-0003	Belt
2300-0002	Motor Fuse, 1/2 amp
2300-0012	Lamp Fuse, 8 amp
3400-0125A	Lamp, 150 watt
2800-0006	Lens, Clear
2800-0043	Lens, Green
2800-0025	Lens, Amber
2800-0010	Lens, Red
1500-0011	Lens Clip

Shipping Information

Unpackaged Weight: 96 pounds
 USA Shipping Weight: 124 pounds
 USA Shipping Volume: 48"x28"x25"
 International Shipping Weight: 124 pounds
 International Shipping Volume: 48"x28"x25"



MOUNTING BOLT PATTERN

Visit our web site: www.flightlight.com