

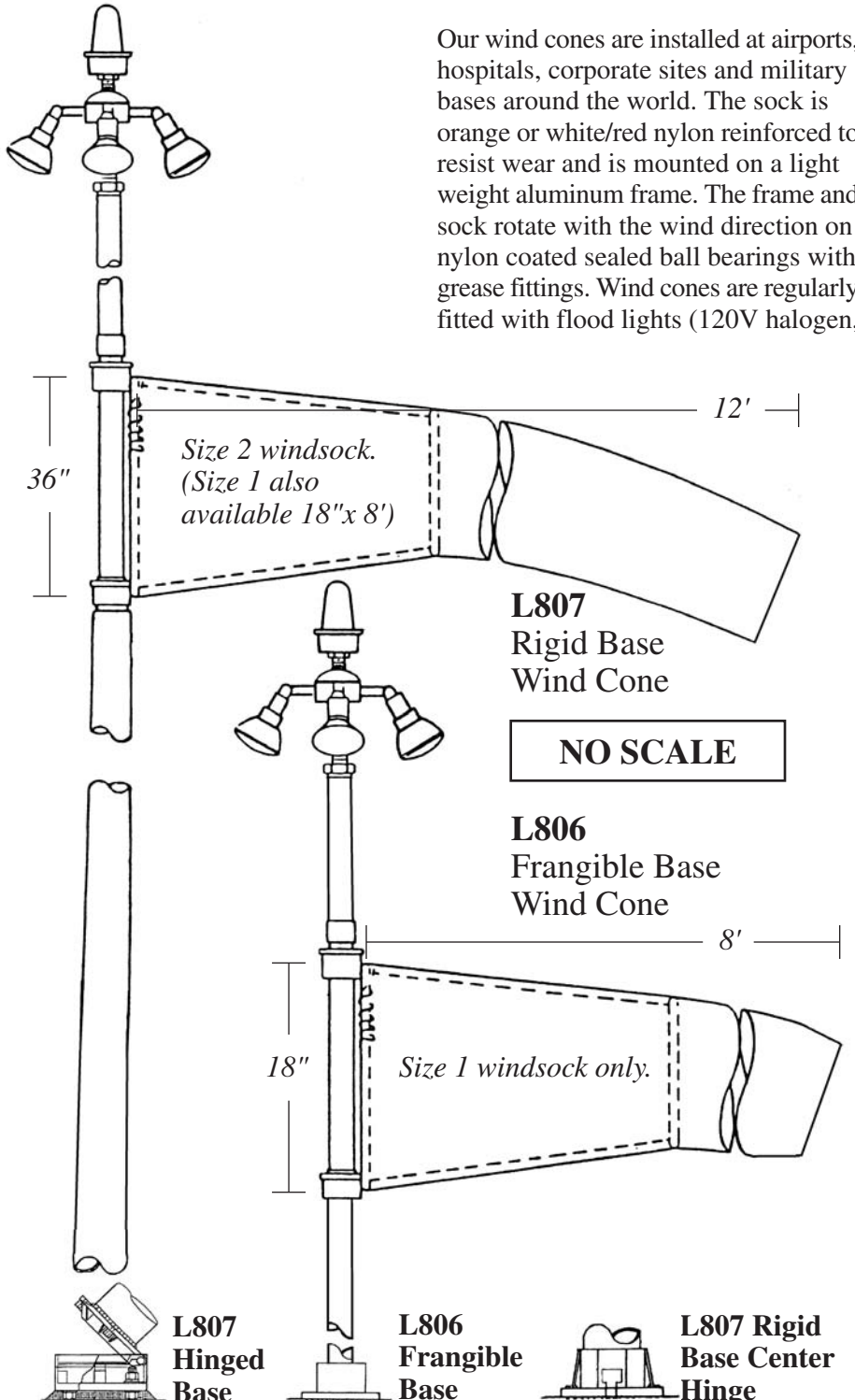


Flight Light Inc.
 2708 47th Ave.
 Sacramento, California, U.S.A.
 95822-3806

PH (916) 394-2800
 TF (800) 806-3548

FX (916) 394-2809
 EM info@flightlight.com

**PWC Series
 Wind Cones
 L806 (Frangible)
 L807 (Rigid)**



3000 hr. life) to illuminate the sock. The entire assembly will withstand wind speeds to 75 knots (86 mph). All lighted models include an L-810 obstruction light. Factory painted. Fully FAA compliant.

**L807 Rigid Base
 Wind Cones, Sizes 1&2**

The L807 includes a tapered, satin finished aluminum pole, 14 ft. 6 in., hinged at the base (or, optionally, pivot hinged at the center). The entire assembly is about 22 ft. tall. A vibration damper within the pole prevents failure from harmonic resonance. The Size 2 windsock is internally framed, as described above, and is 12 ft. long by 36 in. at the mouth. An FAA approved Size 1 model of the L807 is also available.

**L806 Frangible Base
 Wind Cones, FAA Size 1**

The L806 includes a galvanized pipe mounted on a 2 in. FAA approved breakable coupling (a 6 in. ID frangible fiberglass mast is optional). Since the L806 does not exceed 12 ft. in overall height, the top assembly is easily serviced from a step ladder. FAA Size 1 wind cones are used on heliports and to supplement an airport's main wind cone. They are installed adjacent to runway touchdown zones to indicate local wind conditions. The nylon windsock is 8 ft. long, 18 in. in diameter at the mouth and is mounted over an aluminum basket that extends 3 ft. into the sock to increase visibility. Internal lighting for the L806 is not FAA approved.

Visit our web site: www.flightlight.com



Flight Light Inc.
 2708 47th Ave.
 Sacramento, California, U.S.A.
 95822-3806

PH (916) 394-2800 FX (916) 394-2809
TF (800) 806-3548 EM info@flightlight.com

**PWC Series
 Wind Cones
 L806 (Frangible)
 L807 (Rigid)**

Wind Cone Options:

1. Internal Lighting

The sock can be equipped with two internal lights (Size 1) or three internal lights (Size 2) that allow the sock to be seen from great distances without interfering with its rotation around the pole.

2. Frangible Fiberglass Mast (L806 only)

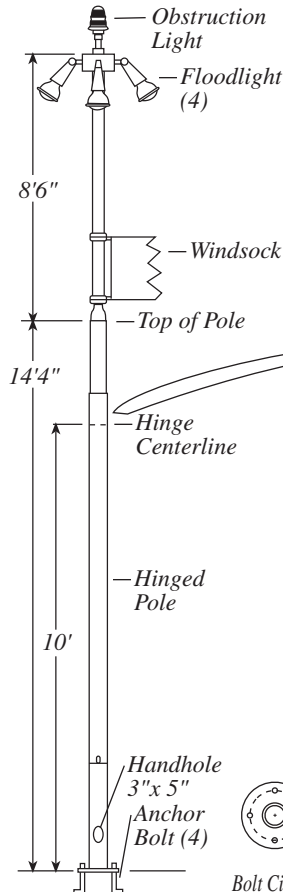
This FAA approved lightweight mast (complete assembly is not FAA approved) is 10 ft. long, of 6 in. ID fiberglass and comes with a breakable coupling.

3. Center Pivot Hinged Pole (L807 only)

The L807 can be ordered with a center pivot hinged pole that swings the upper assembly down for servicing and provides a large measure of safety. Ht. 22' nominal. Safety winch included with this pole. This pole is prime painted.

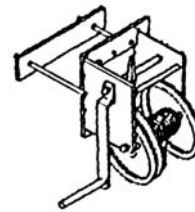
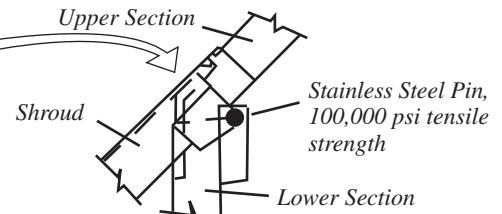
4. Obstruction Light Only

5. LED Obstruction Light



Center Pivot Hinged Pole Option (L807 only)

Pole Assembly consists of two tapered sections of heavy steel tube, square in cross section. The upper section and shroud (see detail) pivot away from the lower section to allow servicing without the need of a ladder.



Winch used to raise and lower a center pivot hinged pole easily and safely.

ORDERING CODES

WC

L806 (Frangible)

L807 (Rigid)

Size 1: 8' sock

Size 2: 12' sock

Lighted

Unlighted

120V

230V

LED (internal lighting only)

6.6A

No power

Orange sock

White/Red sock

Options: 1, 2, 3, 4, 5 (see above)



L806 Floor Flange
 Bolt Circle Diam. = 6"
 Outside Diam. = 8"



L807 Rigid Base Center Hinge
 Bolt Circle Diam. = 8"
 Square Opening = 3.5"



L807 Hinged Base
 Bolt Circle Max. Diam. = 10"
 Bolt Circle Min. Diam. = 8.5"
 Outside Diam. = 12.75"

Common Wind Cone Replacement Parts

P/N	Description
LA-19008	Lamp 116W, 120V for Obstruction Light
LA-10025-100	Lamp 100W, 240V for Obstruction Light
61-861R	Lens Red for Obstruction Light
LA-18631	Lamp PAR 38, 100W, 120V. 2 or 4/unit
LA-10387	Lamp PAR 38, 120W, 120V. 2 or 4/unit
LA-10101-240	Lamp PAR 38, 150W, 240V. 2 or 4/unit
WC-10266	Lampholder PAR 38 (externally lighted). 4/unit.
WC-10289	Basket Subassembly for 8 ft. Sock (Size 1)
WC-10367	Basket Subassembly for 12 ft. Sock (Size 2)
WS-10063CH	Windssock, 8 ft. Orange Latch-on
WS-AS1896	Windssock, 8 ft. Orange Tie-on (for PWC wind cone)
WS-10064CH	Windssock, 12 ft. Orange Latch-on
WS-AS3612	Windssock, 12 ft. Orange Tie-on (for PWC wind cone)
WC-10300/2"	Breakable Coupling (type L806)
WC-10298	Adapter (type L806)
WC-10412	Floor Flange (type L806)

Visit our web site: www.flightlight.com

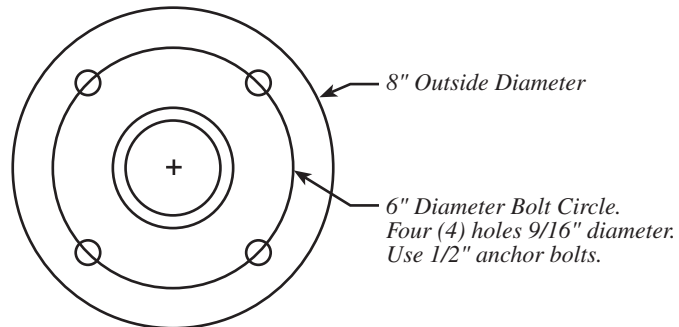


Flight Light Inc.
2708 47th Ave.
Sacramento, California, U.S.A.
95822-3806

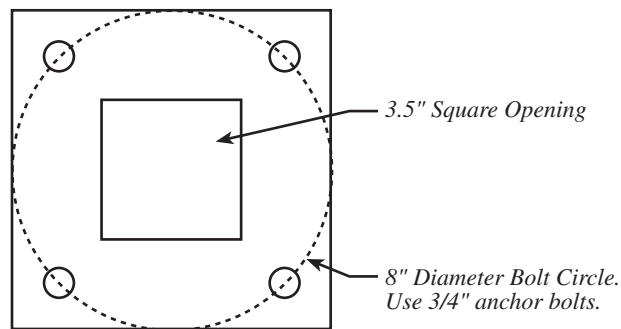
PH (916) 394-2800
TF (800) 806-3548

FX (916) 394-2809
EM info@flightlight.com

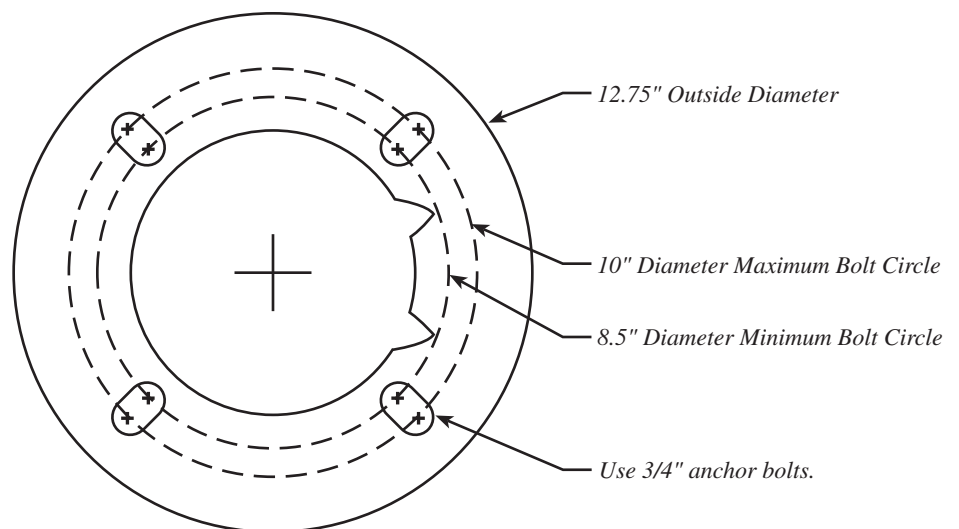
**PWC Series
Wind Cones
L806 (Frangible)
L807 (Rigid)**



L806 Floor Flange



L807 Rigid Base Center Hinge



L807 Hinged Base

Visit our web site: www.flightlight.com